

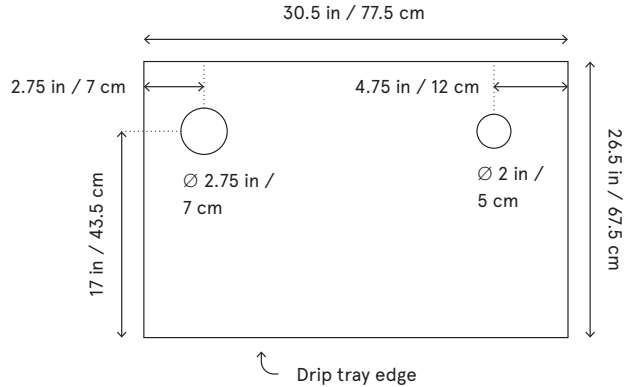
Installation Requirements

Slayer Espresso 2-group

Counter

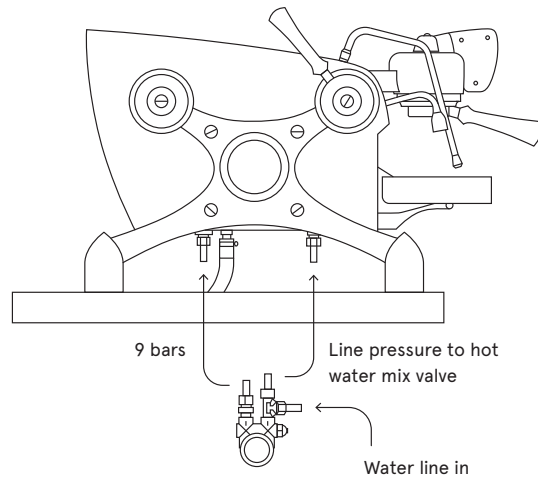
- Width: 30.5 inches / 77.5 centimeters
- Length: 26.5 inches / 67.5 centimeters
- Height: 17 inches / 43.5 centimeters
- Weight: 220 lbs / 100 kg (tanks filled)

Measurements do not include overhanging wood components: portafilters, brew actuators, steam handles, cup rails



Water

- 3/8-inch BSP dedicated cold water line with shutoff valve (in North America, 3/8-inch compression fitting is included)
- Incoming water pressure: 3 Bar min, 5 Bar max
- Water hardness cannot exceed 50ppm, otherwise a water softener is needed



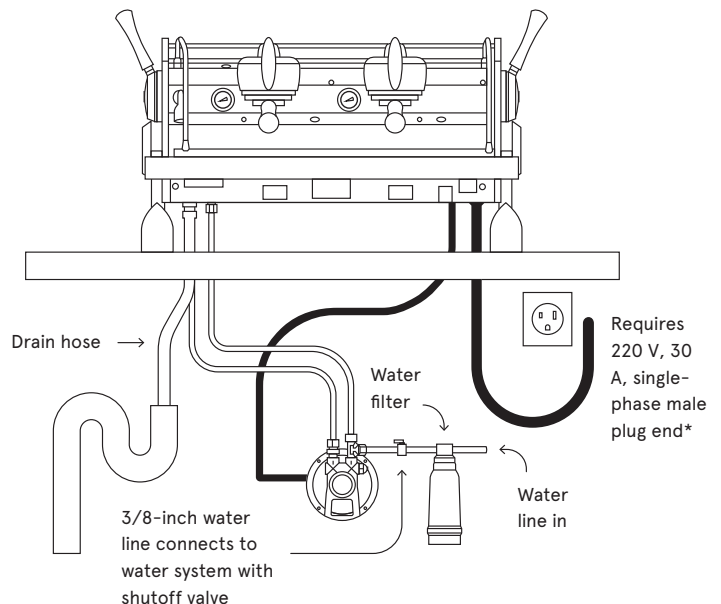
Power

- Single-phase: 200-260 volts AC, 50/60 hertz, 26 amps, 5,700 watts
- Three-phase: 380-400 volts AC, 50/60 hertz, 17 amps, 5,700 watts
- Receptacle: Nema 6-50

*Male plug end is included only when UL specifications have been requested

Drain

- Open gravity drain located within 4 feet / 1.2 meters of the machine
- Ensure drain line is always sloping downwards
- Drain hose: 7/8-inch outside diameter, 5/8-inch inside diameter (2.2-centimeter outside diameter, 1.6-centimeter inside diameter)



SLAYER®

P +1 206 284 7171

F +1 206 284 7766

SUPPORT@SLAYERESPRESSO.COM

6133 6TH AVE S. SEATTLE, WA 98108

SLAYERESPRESSO.COM

